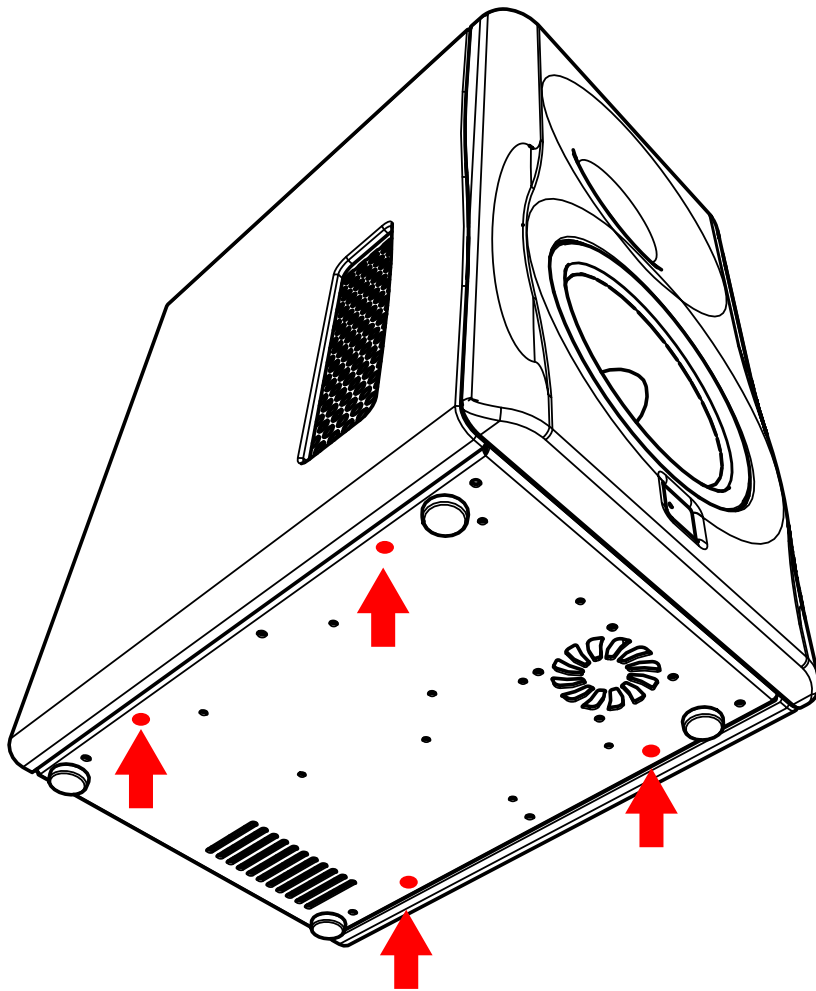


8c.

4x M6 normal thread, insert max 10mm from bottom plate



Back

